



itl boulder

THE LIGHT CENTER OF THE INDUSTRY SINCE 1955

INDEPENDENT TESTING LABORATORIES, INC.
3386 LONGHORN ROAD, BOULDER, CO 80302 USA

PHONE: (303)442-1255 • FAX: (303)449-5274 • E-MAIL: itl@itlboulder.com • WEBSITE: www.itlboulder.com

REPORT NUMBER: ITL59972

DATE: 02/22/08

PREPARED FOR: GVA LIGHTING, INC.

CATALOG NUMBER: STR9-300-CM-6-2.5W-5100K-WB

LUMINAIRE: EXTRUDED FINNED METAL HOUSING WITH FLAT METAL END CAPS, ONE WHITE CIRCUIT BOARD WITH SIX LEDS AND OPTICAL ASSEMBLIES, CLEAR FLAT GLASS LENS WITH BLACK PAINTED PERIMETER. EXACT INTERIOR PROPERTIES UNKNOWN AS THIS IS A SEALED UNIT.

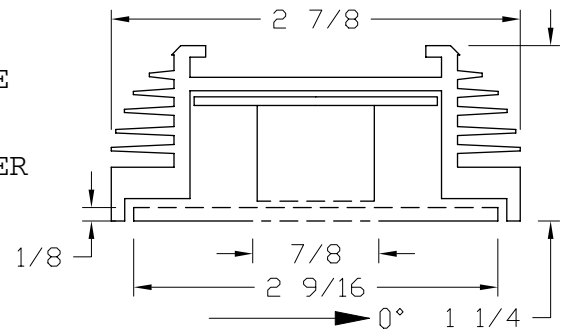
LAMPS: SIX 2.5-WATT WHITE LIGHT EMITTING DIODES (LEDS), TRANSLUCENT MICRO-PRISMATIC LENS IN WHITE PLASTIC FRAME BELOW EACH LED, VERTICAL BASE-UP POSITION.

TOTAL INPUT WATTS = 19.2 AT 120.0 VOLTS

LED DRIVER: GVA LIGHTING LP1025-24 24V

1.04A 25W DC POWER SUPPLY

NOTE: DATA SHOWN IS ABSOLUTE FOR THE SAMPLE PROVIDED AT RATED INPUT VOLTAGE (120VAC) TO THE POWER SUPPLY. A 6 FOOT POWER CORD EXTENDS FROM THE POWER SUPPLY TO THE LED ASSEMBLY. LAMP INFORMATION PROVIDED BY CLIENT.



CANDELA DISTRIBUTION

	0.0	22.5	45.0	67.5	90.0
0	240	240	240	240	240
5	240	240	240	240	242
15	280	281	282	282	285
25	291	294	303	310	316
35	164	168	175	180	184
45	68	69	71	73	76
55	28	29	30	32	34
65	12	12	14	16	18
75	4	4	5	7	8
85	0	0	0	1	1
90	0	0	0	0	0

FLUX

23
81
137
109
56
28
14
6
1
0

ZONAL LUMEN SUMMARY

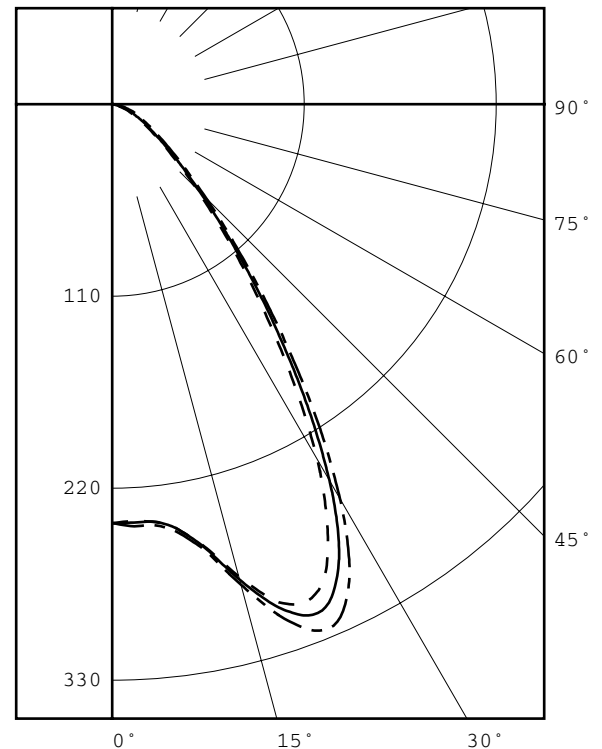
ZONE	LUMENS	%FIXT
0- 30	240	52.9
0- 40	350	76.9
0- 60	434	95.4
0- 90	455	100.0
90-180	0	0.0
0-180	455	100.0

CIE TYPE - DIRECT

PLANE	: 0-DEG	90-DEG
SPACING CRITERIA	: 1.3	1.3
LUMINOUS LENGTH	: 0.875	10.750

LUMINANCE DATA IN CANDELA/SQ M

ANGLE IN DEG	AVERAGE 0-DEG	AVERAGE 45-DEG	AVERAGE 90-DEG
45	15847.	16546.	17711.
55	8044.	8619.	9768.
65	4679.	5459.	7018.
75	2547.	3183.	5093.
85	0.	0.	1891.

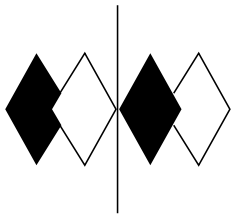


LEGEND:

0-deg:	-----
45-deg:	=====
90-deg:	-----

Checked N. WHITE

Approved R. BERGER



itl boulder
THE LIGHT CENTER OF THE INDUSTRY SINCE 1955

INDEPENDENT TESTING LABORATORIES, INC.
 3386 LONGHORN ROAD, BOULDER, CO 80302 USA

PHONE: (303)442-1255 • FAX: (303)449-5274 • E-MAIL: itl@itlboulder.com • WEBSITE: www.itlboulder.com

REPORT NUMBER: ITL59972
 PREPARED FOR: GVA LIGHTING, INC.

DATE: 02/22/08

CANDELA DISTRIBUTION

	0.0	22.5	45.0	67.5	90.0
0.0	240	240	240	240	240
2.5	239	240	240	240	242
5.0	240	240	240	240	242
7.5	243	244	243	243	245
10.0	251	251	251	251	253
12.5	263	264	264	264	266
15.0	280	281	282	282	285
17.5	296	297	299	301	304
20.0	305	307	311	315	319
22.5	304	307	314	319	325
25.0	291	294	303	310	316
27.5	266	270	281	288	294
30.0	235	238	249	256	261
32.5	199	203	212	219	223
35.0	164	168	175	180	184
37.5	133	136	142	146	149
40.0	107	109	113	116	119
42.5	85	87	90	92	95
45.0	68	69	71	73	76
47.5	54	55	57	59	61
50.0	43	44	46	48	50
52.5	35	35	37	39	41
55.0	28	29	30	32	34
57.5	23	23	25	27	28
60.0	18	19	21	23	24
62.5	15	15	17	19	20
65.0	12	12	14	16	18
67.5	10	10	12	14	15
70.0	7	8	9	11	13
72.5	5	6	7	9	10
75.0	4	4	5	7	8
77.5	2	2	3	5	6
80.0	1	1	2	3	4
82.5	0	0	1	2	3
85.0	0	0	0	1	1
87.5	0	0	0	0	0
90.0	0	0	0	0	0

ZONAL LUMEN SUMMARY

0- 5	6.
5- 10	17.
10- 15	31.
15- 20	49.
20- 25	66.
25- 30	71.
30- 35	62.
35- 40	47.
40- 45	33.
45- 50	23.
50- 55	16.
55- 60	12.
60- 65	8.
65- 70	6.
70- 75	4.
75- 80	2.
80- 85	1.
85- 90	0.



INDEPENDENT TESTING LABORATORIES, INC.
 3386 LONGHORN ROAD, BOULDER, CO 80302 USA

PHONE: (303)442-1255 • FAX: (303)449-5274 • E-MAIL: itl@itlboulder.com • WEBSITE: www.itlboulder.com

REPORT NUMBER: ITL59972

DATE: 02/22/08

PREPARED FOR: GVA LIGHTING, INC.

COEFFICIENTS OF UTILIZATION - ZONAL CAVITY METHOD

EFFECTIVE FLOOR CAVITY REFLECTANCE 0.20

RC	80				70				50			30			10			0			
RW	70	50	30	10	70	50	30	10	50	30	10	50	30	10	50	30	10	0			
0	119	119	119	119	116	116	116	116	111	111	111	111	111	111	106	106	106	102	102	102	100
1	112	109	106	103	110	107	104	101	102	100	98	99	97	95	95	94	93	95	94	93	91
2	105	99	94	90	103	97	93	89	94	90	87	91	88	85	88	86	83	88	86	83	82
3	98	91	84	80	96	89	83	79	86	82	78	84	80	76	81	78	75	81	78	75	73
4	92	83	76	71	90	82	75	71	79	74	70	77	73	69	75	71	68	75	71	68	66
5	86	76	69	64	84	75	69	64	73	68	63	72	66	63	70	65	62	70	65	62	60
6	81	70	63	58	79	69	63	58	68	62	57	66	61	57	65	60	57	65	60	57	55
7	76	65	58	53	74	64	58	53	63	57	52	62	56	52	60	56	52	60	56	52	50
8	71	60	53	48	70	60	53	48	58	52	48	57	52	48	56	51	48	56	51	48	46
9	67	56	49	45	66	56	49	44	55	49	44	54	48	44	53	48	44	53	48	44	42
10	64	52	46	41	62	52	45	41	51	45	41	50	45	41	49	44	41	49	44	41	39

ALL CANDELA, LUMENS, LUMINANCE, AND VCP VALUES IN THIS REPORT ARE BASED ON ABSOLUTE PHOTOMETRY. THE COEFFICIENT OF UTILIZATION VALUES ARE BASED ON THE TOTAL ABSOLUTE LUMEN OUTPUT OF THIS LUMINAIRE SAMPLE.