

Photo Sensor

PR-730 Series for Daylighting Control

PR is a ceiling or desk mounted photo sensor for regulating ambient light. In combination with DSI* (Digital Serial Interface) type digital dimming ballasts or dimmable GVA Lighting LED light fixtures and engines offers a cost effective and easy to install maintained illuminance system. The photo sensor registers the available ambient light and maintains a pre-defined light level. The light level can be manually set to suit individual preferences by momentary switch (Push-Dim), by LCD switch (Smart Switch), by controller (Lux-D) or from the computer.

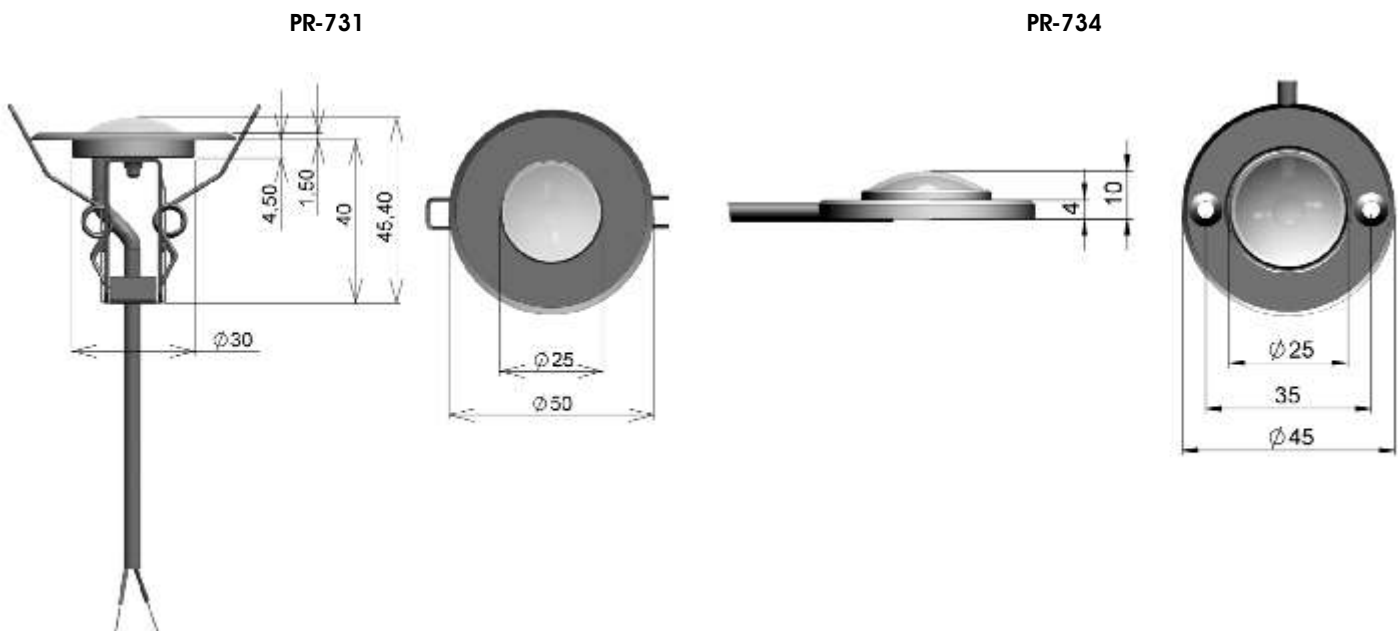
* Most DALI digital dimming ballasts support the DSI protocol.



Standard features

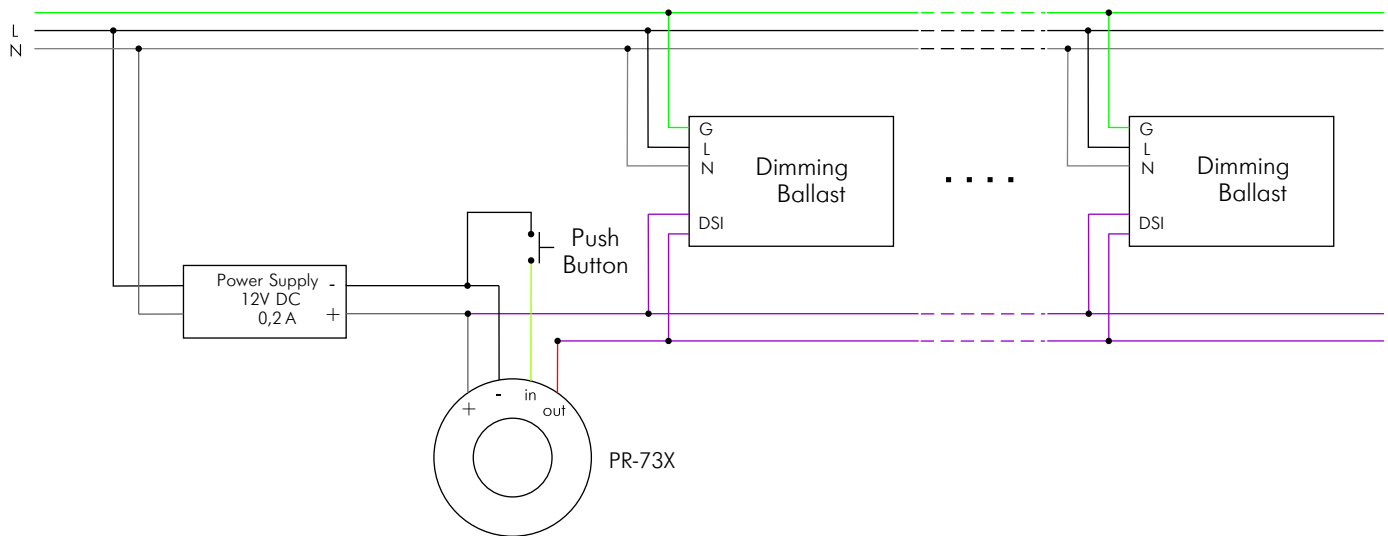
- compact package in recessed version PR-731 or surface mount PR-734
- advanced digital sensor with Infrared Compensation to Approximate Human Eye Response
- input voltage: 9-15VDC
- incoming signal: digital/serial, 5V, 1200 baud
- outgoing controlling signal: DSI (Digital Serial Interface) or Serial 250 Kbaud
- maximum number of dimming ballast: 100
- permitted ambient temperature: -30°C - +50°C (-22°F - +122°F)
- compatible with GVA Lighting dimmable LED light engines RG series, LED fixtures CoinLight series

Mechanical Drawing



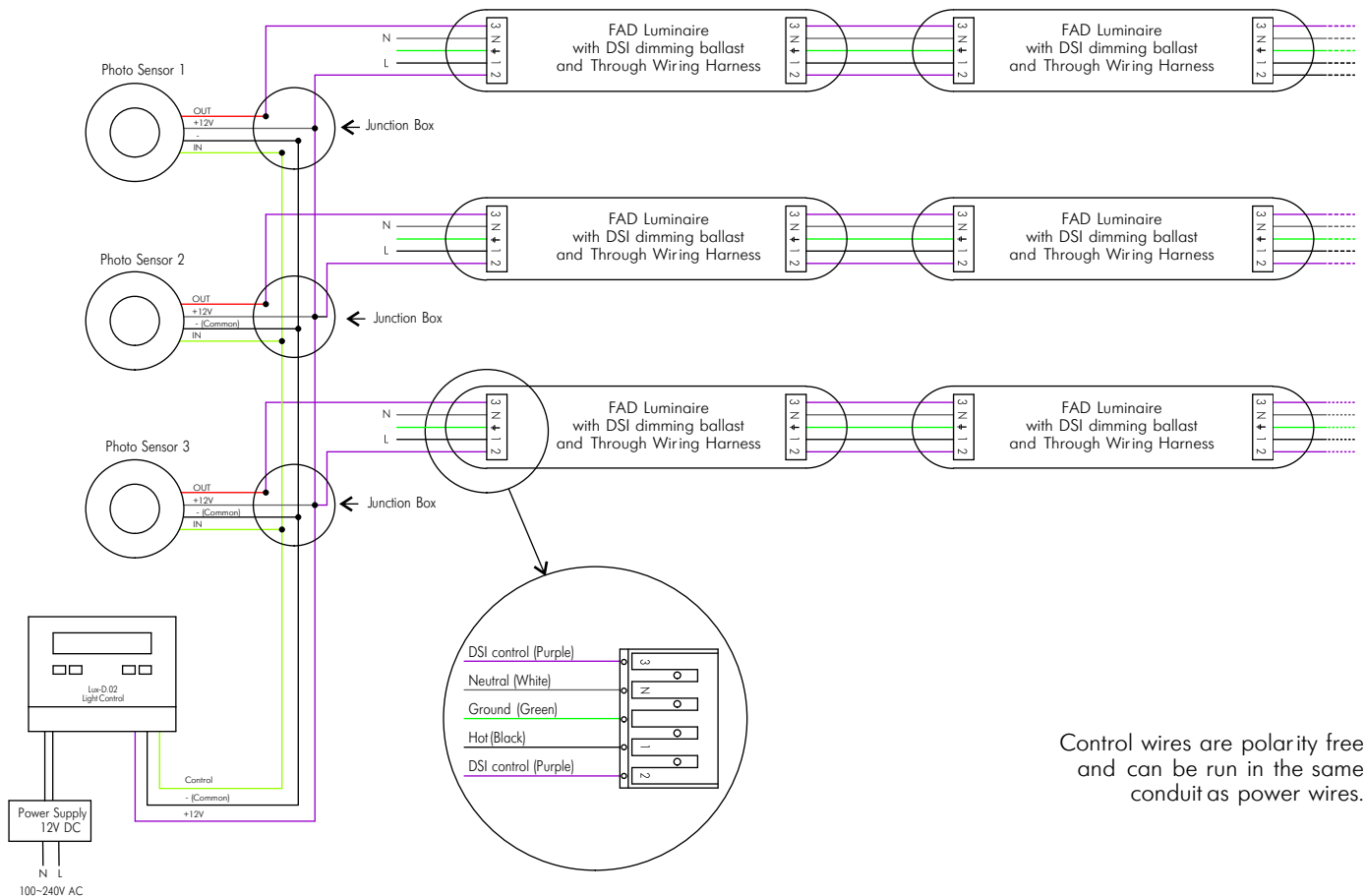
Single Channel Daylighting Control with Push-Dim Interface

Wiring diagram



Multi Channel Daylighting Control with Lux-D Controller

Wiring diagram



Control wires are polarity free and can be run in the same conduit as power wires.