

Miniature Surface Mounted LED Strip

STR2 is a low voltage, low wattage linear fixture for interior applications where space is at a premium.

This fixture is designed for easy installation and minimal maintenance.

Ideally suited for Residential and Commercial applications.



Standard Features

- Interior application very low profile surface mounted LED strip
- Anodized aluminum base with frosted acrylic lens
- Cool beam, no heat (IR) from light source, no UV generated
- Easy to install using Spring Mounting Clips or VHB (Very High Bond) 2-sided tape
- Safe low voltage operation

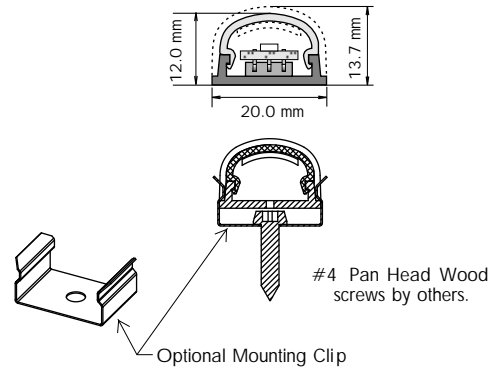
Optional Features

- Available in nominal 150mm increments to maximum of 2400mm
- 12 or 24 diodes per 300mm
- Choice of diodes in five colour temperatures of White plus Red, Amber, Green or Blue
- Double sided tape mount
- Spring clip mount

Applications

- Display case and bookshelf lighting
- Tight spaces where other lights can not fit
- Linear architectural effects
- Cove and cornice lighting
- Toe kick lighting
- Pathway Marking (indoor)
- Heat or UV sensitive applications
- Anywhere low maintenance is required

Mechanical Drawing



Specification Logic

Family	Nominal Length	Extrusion	Lens Colour	Diodes per 300mm	Wattage	Optic	LED Colour	Options
STR2	150 300 600 900 1200 Custom	CM (Clear Matte)	FR (Frosted)	6 - (150mm) 12 - (150mm & 300mm) 24 - (300mm)	.08W	120°	2800K 3500K* 4200K 5100K* 7000K RD - Red AM - Amber GR - Green BL - Blue * Standard Product	2ST - 2 sided tape MC - Mounting Clips

Sample Logic: STR2-900-CM-FR-12-.08w-120-3500-2ST