

# itl boulder

THE LIGHT CENTER OF THE INDUSTRY SINCE 1955

INDEPENDENT TESTING LABORATORIES, INC.  
3386 LONGHORN ROAD, BOULDER, CO 80302 USA

PHONE: (303)442-1255 • FAX: (303)449-5274 • E-MAIL: itl@itlboulder.com • WEBSITE: www.itlboulder.com

REPORT NUMBER: ITL59971

DATE: 02/23/08

PREPARED FOR: GVA LIGHTING, INC.

CATALOG NUMBER: STR9-300-CM-6-2.5W-5100K-MB

LUMINAIRE: EXTRUDED FINNED METAL HOUSING WITH FLAT METAL END CAPS, ONE WHITE CIRCUIT BOARD WITH SIX LEDS AND OPTICAL ASSEMBLIES, CLEAR FLAT GLASS LENS WITH BLACK PAINTED PERIMETER. EXACT INTERIOR PROPERTIES UNKNOWN AS THIS IS A SEALED UNIT.

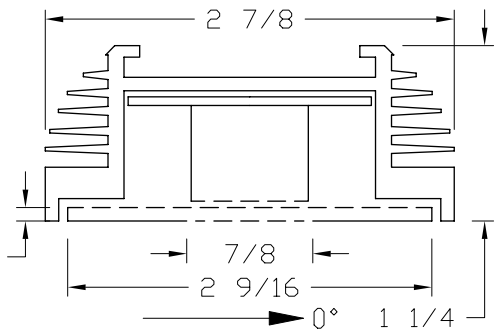
LAMPS: SIX 2.5-WATT WHITE LIGHT EMITTING DIODES (LEDS), CLEAR MICRO-PRISMATIC LENS IN WHITE PLASTIC FRAME BELOW EACH LED, VERTICAL BASE-UP POSITION.

TOTAL INPUT WATTS = 19.3 AT 120.0 VOLTS

LED DRIVER: GVA LIGHTING LP1025-24 24V

1.04A 25W DC POWER SUPPLY

NOTE: DATA SHOWN IS ABSOLUTE FOR THE SAMPLE PROVIDED AT RATED INPUT VOLTAGE (120VAC) TO THE POWER SUPPLY. A 6 FOOT POWER CORD EXTENDS FROM THE POWER SUPPLY TO THE LED ASSEMBLY. LAMP INFORMATION PROVIDED BY CLIENT.



### CANDELA DISTRIBUTION

	0.0	22.5	45.0	67.5	90.0
0	1506	1506	1506	1506	1506
5	1408	1418	1438	1467	1483
15	811	784	801	823	799
25	197	164	173	196	162
35	42	34	37	40	33
45	16	15	16	17	16
55	10	10	10	11	11
65	5	5	6	7	8
75	2	2	2	3	3
85	0	0	0	0	1
90	0	0	0	0	0

### FLUX

131
218
87
25
13
9
6
2
0

### ZONAL LUMEN SUMMARY

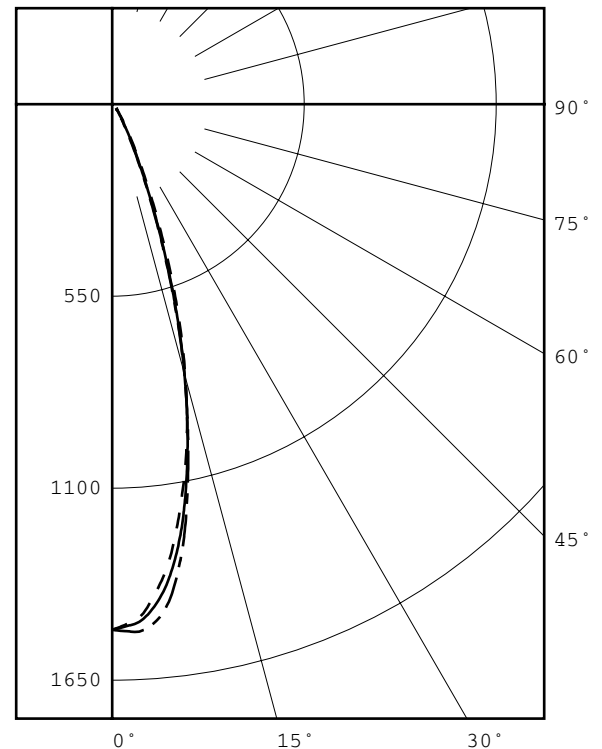
ZONE	LUMENS	%FIXT
0- 30	437	88.7
0- 40	461	93.7
0- 60	483	98.2
0- 90	492	100.0
90-180	0	0.0
0-180	492	100.0

### CIE TYPE - DIRECT

PLANE	: 0-DEG	90-DEG
SPACING CRITERIA	: 0.5	0.5
LUMINOUS LENGTH	: 0.875	10.750

### LUMINANCE DATA IN CANDELA/SQ M

ANGLE IN DEG	AVERAGE 0-DEG	AVERAGE 45-DEG	AVERAGE 90-DEG
45	3729.	3729.	3729.
55	2873.	2873.	3160.
65	1950.	2339.	3119.
75	1273.	1273.	1910.
85	0.	0.	1891.



#### LEGEND:

0-deg:	-----
45-deg:	=====
90-deg:	-----

Checked N. WHITE

Approved R. BERGER



INDEPENDENT TESTING LABORATORIES, INC.  
 3386 LONGHORN ROAD, BOULDER, CO 80302 USA

PHONE: (303)442-1255 • FAX: (303)449-5274 • E-MAIL: itl@itlboulder.com • WEBSITE: www.itlboulder.com

REPORT NUMBER: ITL59971  
 PREPARED FOR: GVA LIGHTING, INC.

DATE: 02/23/08

CANDELA DISTRIBUTION

	0.0	22.5	45.0	67.5	90.0
0.0	1506	1506	1506	1506	1506
2.5	1481	1485	1490	1503	1513
5.0	1408	1418	1438	1467	1483
7.5	1297	1305	1335	1368	1383
10.0	1146	1156	1183	1207	1212
12.5	987	979	998	1015	1006
15.0	811	784	801	823	799
17.5	627	580	597	630	589
20.0	448	394	412	449	401
22.5	302	256	270	303	259
25.0	197	164	173	196	162
27.5	130	105	113	127	102
30.0	87	69	75	84	66
32.5	60	47	52	57	45
35.0	42	34	37	40	33
37.5	31	26	28	30	26
40.0	24	21	23	24	21
42.5	19	18	19	20	18
45.0	16	15	16	17	16
47.5	14	13	14	15	15
50.0	12	12	13	13	13
52.5	11	11	11	12	12
55.0	10	10	10	11	11
57.5	8	9	10	10	11
60.0	7	8	9	9	10
62.5	6	7	7	8	9
65.0	5	5	6	7	8
67.5	4	4	5	6	7
70.0	3	3	4	5	5
72.5	2	2	3	4	4
75.0	2	2	2	3	3
77.5	1	1	1	2	3
80.0	0	1	1	1	2
82.5	0	0	0	1	1
85.0	0	0	0	0	1
87.5	0	0	0	0	0
90.0	0	0	0	0	0

ZONAL LUMEN SUMMARY

0- 5	36.
5- 10	96.
10- 15	118.
15- 20	100.
20- 25	58.
25- 30	29.
30- 35	15.
35- 40	9.
40- 45	7.
45- 50	6.
50- 55	5.
55- 60	4.
60- 65	4.
65- 70	3.
70- 75	2.
75- 80	1.
80- 85	0.
85- 90	0.



INDEPENDENT TESTING LABORATORIES, INC.  
3386 LONGHORN ROAD, BOULDER, CO 80302 USA

PHONE: (303)442-1255 • FAX: (303)449-5274 • E-MAIL: itl@itlboulder.com • WEBSITE: www.itlboulder.com

REPORT NUMBER: ITL59971

DATE: 02/23/08

PREPARED FOR: GVA LIGHTING, INC.

COEFFICIENTS OF UTILIZATION - ZONAL CAVITY METHOD

EFFECTIVE FLOOR CAVITY REFLECTANCE 0.20

RC	80				70				50			30			10			0
RW	70	50	30	10	70	50	30	10	50	30	10	50	30	10	50	30	10	0
0	119	119	119	119	116	116	116	116	111	111	111	106	106	106	102	102	102	100
1	114	112	110	108	112	110	108	106	106	104	103	102	101	100	99	98	97	95
2	110	106	102	99	108	104	101	98	101	98	96	98	96	94	95	94	92	91
3	106	100	96	93	104	99	95	92	96	93	91	94	91	89	92	90	88	87
4	102	95	91	88	100	94	90	87	92	89	86	90	88	85	89	86	84	83
5	98	91	87	83	97	90	86	83	89	85	82	87	84	81	86	83	81	79
6	95	88	83	79	93	87	82	79	85	82	79	84	81	78	83	80	78	76
7	91	84	79	76	90	84	79	76	82	78	75	81	78	75	80	77	75	74
8	88	81	76	73	87	81	76	73	80	76	73	79	75	72	78	75	72	71
9	86	78	74	70	85	78	73	70	77	73	70	76	73	70	75	72	70	69
10	83	76	71	68	82	75	71	68	74	71	68	74	70	68	73	70	67	66

ALL CANDELA, LUMENS, LUMINANCE, AND VCP VALUES IN THIS REPORT ARE BASED ON ABSOLUTE PHOTOMETRY. THE COEFFICIENT OF UTILIZATION VALUES ARE BASED ON THE TOTAL ABSOLUTE LUMEN OUTPUT OF THIS LUMINAIRE SAMPLE.